

Mi-Flues

FLUE & CHIMNEY SYSTEMS

SYSTEM 1

316 Stainless Steel Flue Pipe
For gas, oil & multi-fuel appliances



Mi-Flues System 1 Stainless Steel Flue Pipe

Mi-Flues System 1 is a 1mm thick 316 grade stainless steel single wall flue system suitable for gas, oil, wood and multi-fuel appliances.

It has been specifically engineered to give an authentic visual look, whilst at the same time being manufactured using the latest technology to ensure years of trouble free use.

The system is available in four standard diameters 125mm, 150mm, 180mm and 200mm.

STANDARDS

Mi-Flues System 1; 1mm conforms to BS6461 parts 1 & 2: 1984 for appliance to chimney connection, and is suitable for domestic appliances burning solid fuel.

When installed in compliance with BS5854: 1980 is suitable for chimney lining.

DESIGN & SPECIFICATION

Mi-Flues System 1 316 grade stainless steel single wall is suitable for use on applications fired by gas, oil and solid fuel with flue gas temperatures not exceeding 540°C continuous, up to 750°C short firing – it can withstand temperatures up to 1100°C (chimney fire)

The longitudinal seam on all components is fully welded to eliminate leakage and to ensure a uniform high quality of manufacture throughout.

Components have been designed to be installed quickly, safely and simply. MI-Flues System 1 single wall flue is designed to be installed with the socket (the female coupling) directed upwards.

By fitting the flue components together in this manner ensures debris and moisture will run internally down the flue.

APPLICATION

Mi-Flues System 1 has been designed to flue all domestic appliances burning solid fuel, gas, oil and wood.

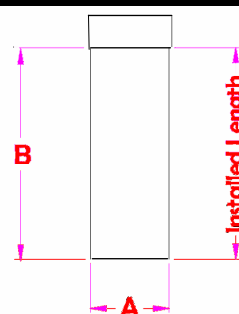
It is also suitable for relining existing chimneys.

INSTALLATION

Mi-Flues System 1 should be fitted at least three times the diameter away from any combustible materials. For example 125mm pipe should be a minimum of 375mm away from any combustible material.

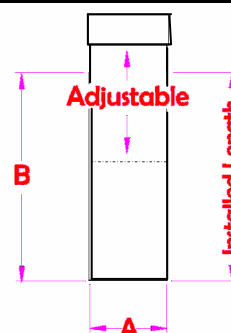
All sockets (female end) should be installed upwards, with the male end dropping into the socket. To install Mi-Flues system 1 components simply position male end into female socket end and seal with fire cement.

LENGTHS



Dia (mm) (A)	250 (B)	500 (B)	1000 (B)
125	200	450	950
150	200	450	950
180	200	450	950
200	200	450	950

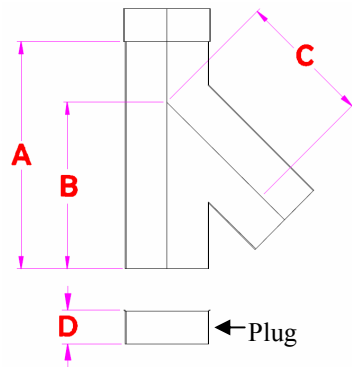
ADJUSTABLE LENGTHS



Diameter (mm) (A)	ADJ Short (B) Min—Max	ADJ Long (B) Min –Max
125	250-400	500-900
150	250-400	500-900
180	250-400	500-900
200	250-400	500-900

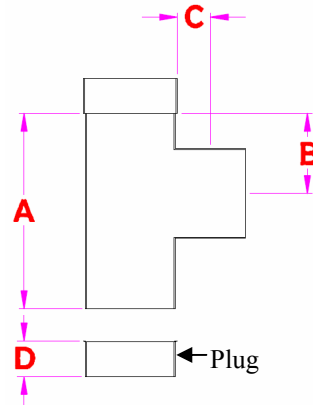
Mi-Flues System 1 Stainless Steel Flue Pipe

45 ° TEE



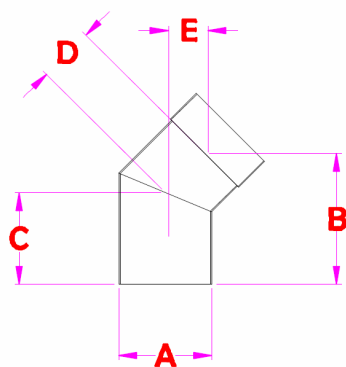
Diameter	(A)	(B)	(C)	(D)
125	285	235	190	35
150	336	270	220	35
180	366	298	257	35
200	420	335	282	35

90 ° TEE



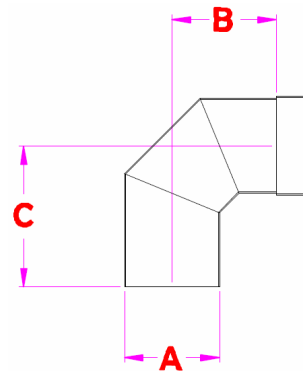
Diameter	(A)	(B)	(C)	(D)
125	263	106	30	35
150	263	106	30	35
180	283	116	32	35
200	310	130	30	35

45 ° Bend



Diameter (A)	(B)	(C)	(D)	(E)
125	137	100	55	40
150	170	120	75	50
180	165	118	70	45
200	175	125	70	50

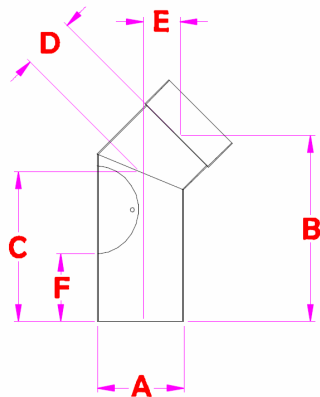
90 ° BEND



Diameter (A)	(B)	(C)
125	110	155
150	120	165
180	145	195
200	145	195

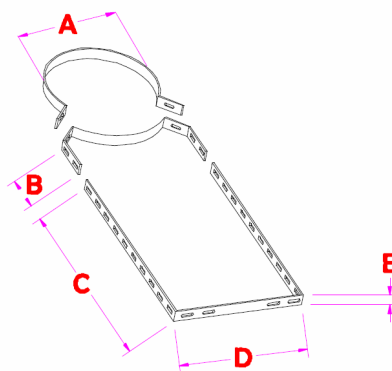
MI-Flues System 1 Stainless Steel Flue Pipe

45 ° BEND & DOOR



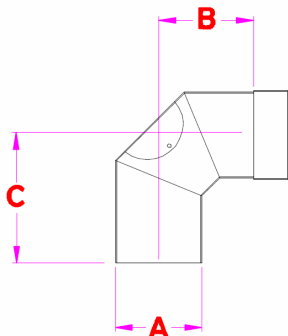
Dia. (A)	(B)	(C)	(D)	(E)	(F)
125	200	165	55	40	60
150	200	160	60	43	60
180	242	195	67	48	70
200	250	200	70	50	74

WALL BRACKET



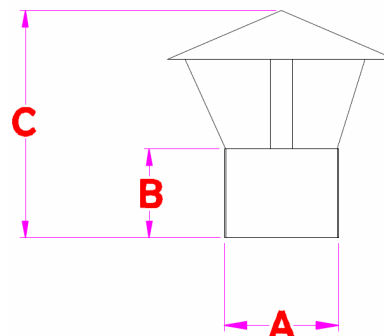
Diameter (A)	(B)	(C)	(D)	(E)
125	45	258	152	20
150	45	258	152	20
180	45	258	152	20
200	45	258	152	20

90 ° BEND & DOOR



Diameter (A)	(B)	(C)
125	110	155
150	115	170
180	145	195
200	150	195

Cowl



Diameter (A)	(B)	(C)
125	90	185
150	90	185
180	90	245
200	90	245

Mi-Flues has adopted a policy of continuous product review, and in the interests of development and improvement the Company reserves the right to vary the appearance and performance of any of its products without prior notice.

YOUR LOCAL MI-FLUES STOCKIST IS:

Mi-Flues
FLUE & CHIMNEY SYSTEMS

Mi-Flues Ltd
Summerhill Enterprise Ctr.
Summerhill
County Meath
IRELAND
T: +353 46 95 58030
F: +353 46 95 58034
E: sales@miflues.ie
W: www.miflues.ie